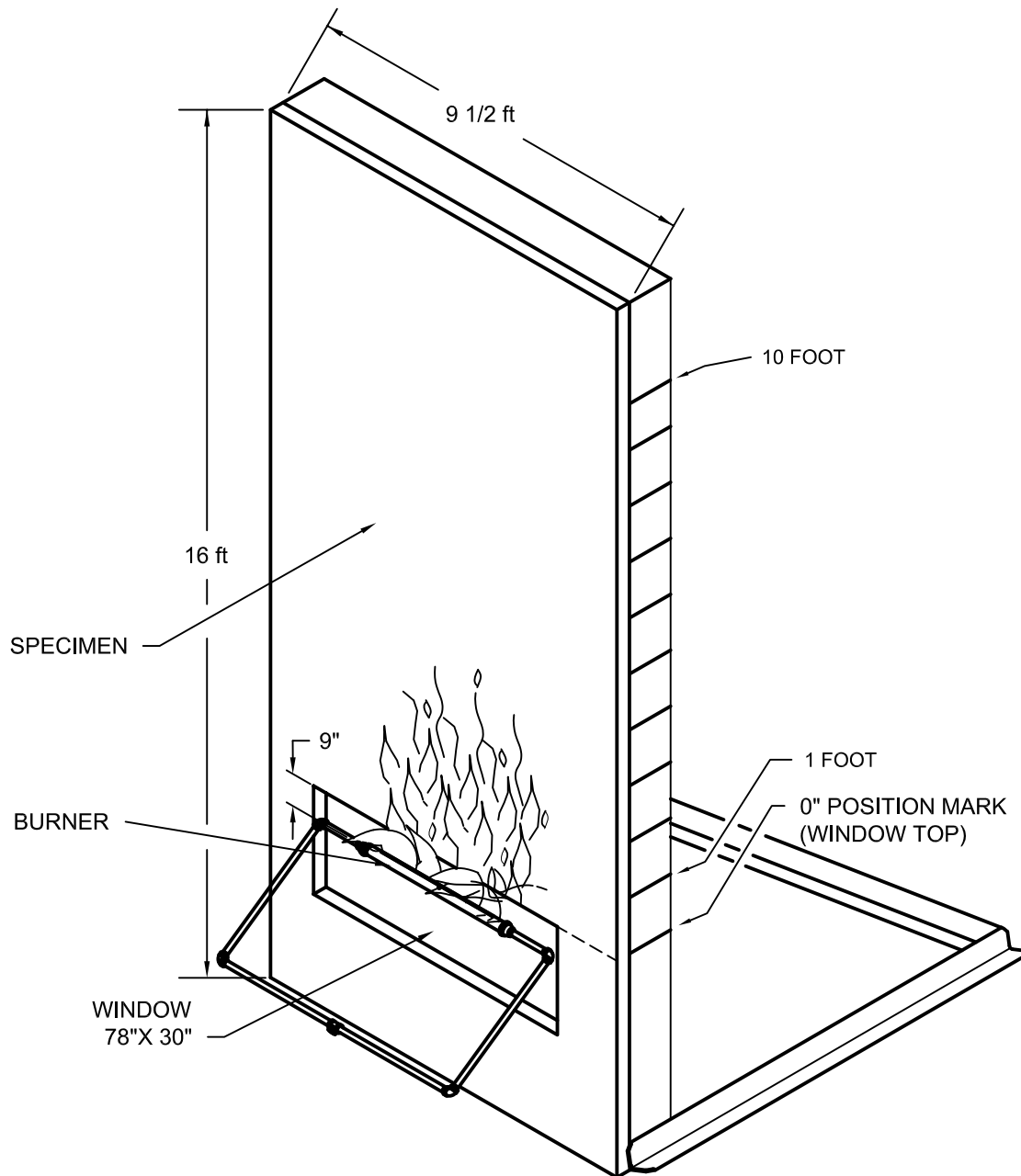


NFPA 285

Standard Fire Test Method for Evaluation of Fire Propagation Characteristics of Exterior Non-Load-Bearing Wall Assemblies Containing Combustible Components

Screening Test

Narrow Specimen and Alternate Burner



NFPA 285

Standard Fire Test Method for Evaluation of Fire Propagation Characteristics of Exterior Non-Load-Bearing Wall Assemblies Containing Combustible Components

Screening Test

Wide Specimen and Standard Burner
