

RADIANT PANEL FLAME SPREAD TESTER



MODEL RP-1A 110V 50/60Hz
MODEL RP-1A-X 220V 50/60Hz

**MEASURES THE FLAME SPREAD PROPERTIES
OF TEXTILES, PLASTICS, FOAMS AND
SIMILAR MATERIALS USED IN FURNISHINGS,
BUILDING PRODUCTS AND TRANSPORTATION
MATERIALS**

ALL INCLUSIVE FEATURES

- Steel channel panel support frame
- Stainless steel specimen holder support and specimen holder
- 12" x 18" porous gas operated Refractory Panel
- Air supply, zero regulator and mixer to supply gas to panel at specified operating temperature
- Pilot burner assembly
- Stainless steel stack containing 8 thermocouples; removable panel for easy brushing of thermocouples
- Readout equipment: Voltmeter to alternately read the output of the:
 - (1) optical pyrometer
 - (2) the 8 - stack thermocouples
- Pipe burner to perform stack temperature calibration
- Acetylene regulator
- Air & gas flowmeters to control mixture to panel
- Automatic "Panel Flameout Safety"

SHIPPING WEIGHT: 350 lbs.

TEL: +1-631-293-8944
FAX: +1-631-293-8956
Email: equipment@govmark.com
Web: www.govmark.com



PARTIAL LIST OF SPECIFIERS:

NY/NJ PORT AUTHORITY: Certain interior products
**DEPT. OF TRANSPORTATION GUIDELINES FOR
BUSES & RAIL PASSENGER CARS:** Interior materials
U.S. NAVY: Packaging materials

PARTIAL LIST OF TEST SPECIFICATIONS:

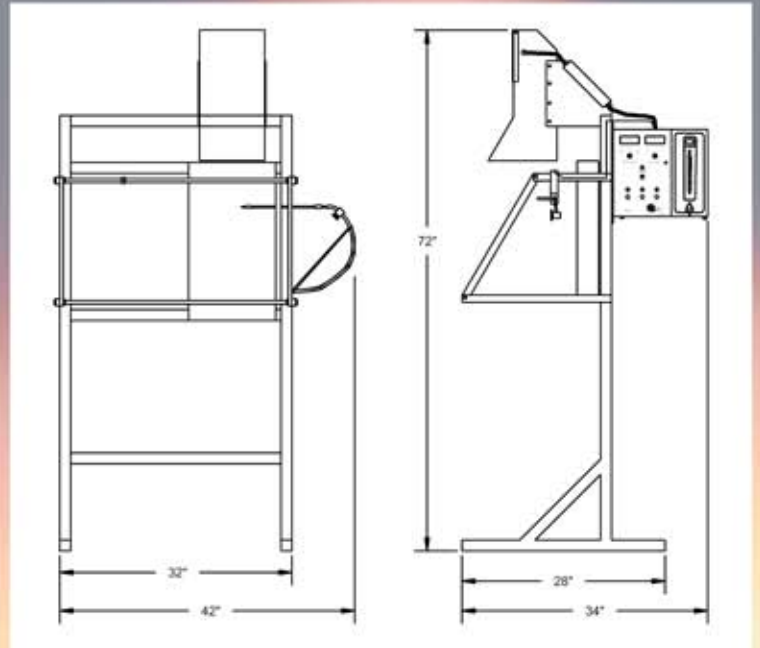
ASTM E 162
ASTM D 3675

 **The
Govmark
Organization, Inc.**

96 Allen Boulevard, Suite D • Farmingdale, NY 11735 - U.S.A.



RADIANT PANEL FLAME SPREAD TESTER



FLAMMABILITY PRODUCTS & SERVICES AVAILABLE FROM GOVMARK

FLAMMABILITY TESTERS

45-DEGREE CABINET	FABRICS, CA TB117 2000, CANADIAN STANDARDS
HORIZONTAL CABINET	AUTOMOTIVE FABRICS, FAA
PILL TEST APPARATUS	CARPETING AND TENT FLOORING
TPP TESTER	PROTECTIVE CLOTHING
FLOORING RADIANT PANEL	CARPETING AND AIRCRAFT INSULATION
SMOKE DENSITY CHAMBER	ALL MATERIALS
VERTICAL CABINETS	DRAPES, SLEEPWEAR, TENTAGE, FAA
E162 RADIANT PANEL	FLAME SPREAD OF MATERIALS
OSU RATE OF HEAT RELEASE	FAA INTERIORS
CONE CALORIMETER (RATE OF HEAT RELEASE)	TRANSPORTATION AND BUILDING PRODUCTS
FAA OIL BURNER	SEAT CUSHIONS & CARGO LINERS
CALIF. TECHNICAL BULLETIN 117	UPHOLSTERY COMPONENTS
BS 5852	UPHOLSTERY COMPONENTS
NIST MATTRESS BURNER (SCREENING TOOL)	MATTRESSES
NON-COMBUSTIBILITY APPARATUS	BUILDING AND MARITIME PRODUCTS
NFPA 701 TM1 AND TM2	DRAPERIES, BANNERS, EXTERIOR PRODUCTS, ETC.
OXYGEN INDEX	IGNITION LEVEL OF MATERIALS
HOT WIRE IGNITION	PLASTICS FLAMMABILITY
GOV 94 FUME HOOD	ENCLOSURE FOR GOV 94 TESTS
BLANKET FLAMMABILITY TESTER	BLANKETS

Govmark offerings of testers and services are constantly augmented. Kindly contact Govmark for any items not listed herein.

FLAMMABILITY TESTS PERFORMED BY GOVMARK

Boston, California, Apparel, Camping Products, Children's Sleepwear, Drapery, Carpeting, CPSC, Mattress, Upholstery, Coast Guard, IMO, FAA, NY/NJ Port of Authority, Mining Products and others...