

FIREBLOCK THERMAL PERFORMANCE TESTER

MODEL TPP-M (Manual, not electrical)
MODEL TPP-M-X (Manual, not electrical)

MEASURES HEAT TRANSFER PROPERTIES OF FIRE BARRIER MATERIALS USED IN MATTRESSES & UPHOLSTERED FURNITURE

FEATURES:

- ALL STEEL SPECIMEN SUPPORT SYSTEM
- MEEKER BURNER MOUNTED ON MOVEABLE PLATFORM
- GAS DELIVERY MODULE, TO INCLUDE
 - FLOW CONTROL
 - FLOWMETER & PRESSURE GAUGE

Optional: Data Acquisition Package to perform calibration and record heat transfer value.

SHIPPING WEIGHT: 60 LBS



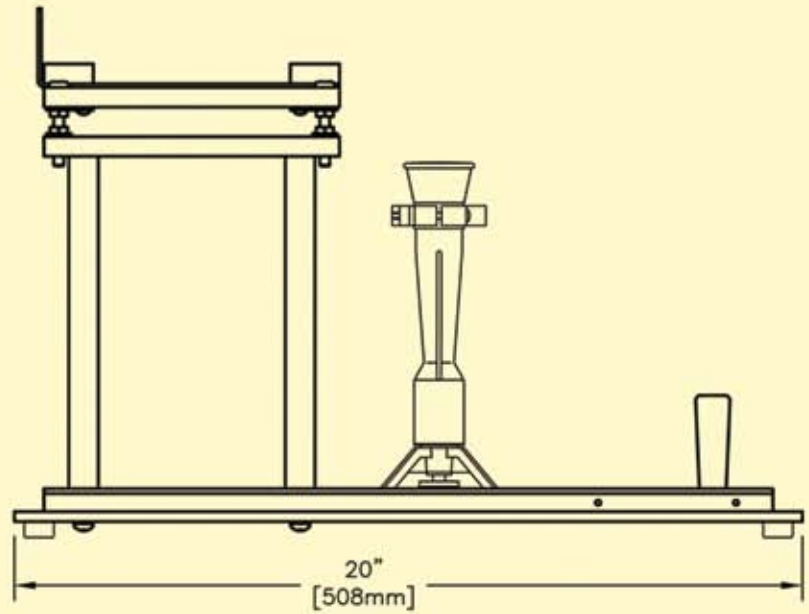
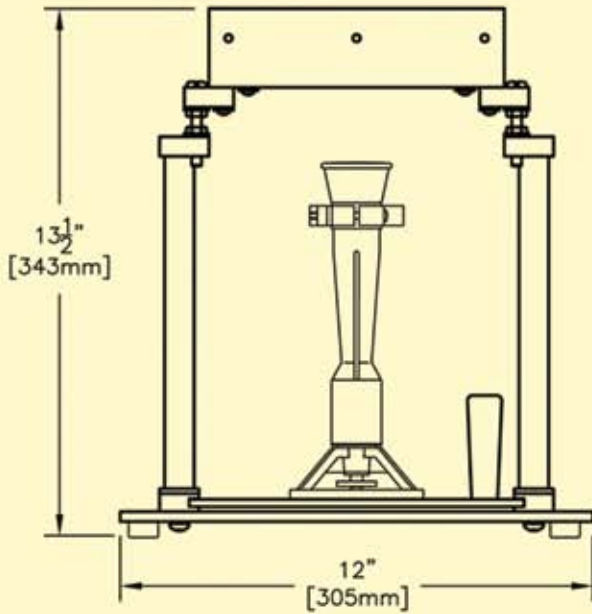
**SPECIFICATION:
ASTM D 7140**



TEL: +1-631-293-8944 | FAX: +1-631-293-8956 | E-MAIL: equipment@govmark.com

WWW.GOVMARK.COM | 96 ALLEN BLVD., SUITE D, FARMINGDALE, NY 11735-USA

FIREBLOCK THERMAL PERFORMANCE TESTER



FLAMMABILITY PRODUCTS & SERVICES AVAILABLE FROM GOVMARK

FLAMMABILITY TESTERS

45 DEGREE CABINET
HORIZONTAL CABINET
PILL TEST APPARATUS
TPP TESTER
FLOORING RADIANT PANEL
SMOKE DENSITY CHAMBER
VERTICAL CABINETS
EI62 RADIANT PANEL
OSU RATE OF HEAT RELEASE
CONE CALORIMETER (RATE OF HEAT RELEASE)
FAA OIL BURNER
CALIF, TECHNICAL BULLETIN 117
BS 5852
NIST MATTRESS BURNER (SCREENING TOOL)
NON-COMBUSTIBILITY APPARATUS
NFPA 701 TMI AND TM2
OXYGEN INDEX
HOT WIRE IGNITION
UL 94 FUME HOOD
BLANKET FLAMMABILITY TESTER

SUMMARY

FABRICS, CA TB117 2000, CANADIAN STANDARDS
AUTOMOTIVE FABRICS, FAA
CARPETING AND TENT FLOORING
PROTECTIVE CLOTHING
CARPETING AND AIRCRAFT INSULATION
ALL MATERIALS
DRAPES, SLEEPWEAR, TENTAGE, FAA
FLAME SPREAD OF MATERIALS
FAA INTERIORS
TRANSPORTATION AND BUILDING PRODUCTS
SEAT CUSHIONS & CARGO LINERS
UPHOLSTERY COMPONENTS
UPHOLSTERY COMPONENTS
MATTRESSES
BUILDING AND MARITIME PRODUCTS
DRAPERIES, BANNERS, EXTERIOR PRODUCTS, ETC.
IGNITION LEVEL OF MATERIALS
PLASTICS FLAMMABILITY
ENCLOSURE FOR UL 94 TESTS
BLANKETS

GOVMARK OFFERINGS OF TESTERS AND SERVICES ARE CONSTANTLY AUGMENTED. KINDLY CONTACT GOVMARK FOR ANY ITEMS NOT LISTED HEREIN.

FLAMMABILITY TESTS PERFORMED BY GOVMARK

BOSTON, CALIFORNIA, APPAREL, CAMPING PRODUCTS, CHILDREN'S SLEEPWEAR, DRAPERY, CARPETING, CPSC, MATTRESS, UPHOLSTERY, COAST GUARD, IMO, FAA, NY/NJ PORT AUTHORITY, MINING PRODUCTS AND OTHERS...