

# AIRCRAFT INSULATION RADIANT PANEL TESTER



**MODEL FRP-1A-AI(E) 208V 3P 30A**  
**MODEL FRP-1A-AI(E)-X 208V 3P 30A**

**MEASURES THE FLAME  
PROPAGATION (AFTERFLAME  
AND BURN DISTANCE) OF  
THERMAL/ACOUSTIC AIRCRAFT  
INSULATION**

## **ALL INCLUSIVE FEATURES:**

- Steel channel panel support frame
- Chamber constructed of 1/2" kaowool board covered with stainless steel
- Radiant electric heater with easy access control panel to set flux and temperature levels
- Chamber thermocouple to monitor chamber temperature
- Specimen holder tray
- Securing frame
- Retaining flame
- Pilot burner assembly

**SHIPPING WEIGHT: 875 lbs.**



## **SPECIFICATION:**

**FAR Part 25 Appendix F Part VI**

**Airbus AITM 2.0053**

**Boeing BSS 7365**

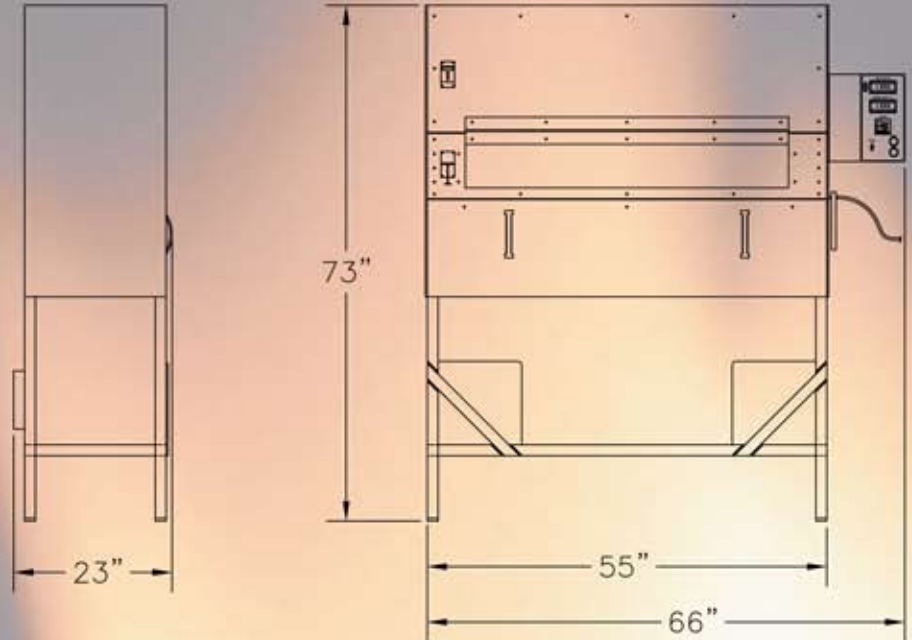
**TEL: +1-631-293-8944**  
**FAX: +1-631-293-8956**  
**Email: [equipment@govmark.com](mailto:equipment@govmark.com)**  
**Web: [www.govmark.com](http://www.govmark.com)**

 **The  
Govmark  
Organization, Inc.**

96 Allen Boulevard, Suite D • Farmingdale, NY 11735 – U.S.A.



# AIRCRAFT INSULATION RADIANT PANEL TESTER



## FLAMMABILITY PRODUCTS & SERVICES AVAILABLE FROM GOVMARK

### FLAMMABILITY TESTERS

|   |   |
|---|---|
| 45-DEGREE CABINET .....                       | FABRICS, CA TB117 2000, CANADIAN STANDARDS  |
| HORIZONTAL CABINET .....                      | AUTOMOTIVE FABRICS, FAA                     |
| PILL TEST APPARATUS .....                     | CARPETING AND TENT FLOORING                 |
| TPP TESTER .....                              | PROTECTIVE CLOTHING                         |
| FLOORING RADIANT PANEL .....                  | CARPETING AND AIRCRAFT INSULATION           |
| SMOKE DENSITY CHAMBER .....                   | ALL MATERIALS                               |
| VERTICAL CABINETS .....                       | DRAPES, SLEEPWEAR, TENTAGE, FAA             |
| E162 RADIANT PANEL .....                      | FLAME SPREAD OF MATERIALS                   |
| OSU RATE OF HEAT RELEASE .....                | FAA INTERIORS                               |
| CONE CALORIMETER (RATE OF HEAT RELEASE) ..... | TRANSPORTATION AND BUILDING PRODUCTS        |
| FAA OIL BURNER .....                          | SEAT CUSHIONS & CARGO LINERS                |
| CALIF. TECHNICAL BULLETIN 117 .....           | UPHOLSTERY COMPONENTS                       |
| BS 5852 .....                                 | UPHOLSTERY COMPONENTS                       |
| NIST MATTRESS BURNER (SCREENING TOOL) .....   | MATTRESSES                                  |
| NON-COMBUSTIBILITY APPARATUS .....            | BUILDING AND MARITIME PRODUCTS              |
| NFPA 701 TM1 AND TM2 .....                    | DRAPERIES, BANNERS, EXTERIOR PRODUCTS, ETC. |
| OXYGEN INDEX .....                            | IGNITION LEVEL OF MATERIALS                 |
| HOT WIRE IGNITION .....                       | PLASTICS FLAMMABILITY                       |
| GOV 94 FUME HOOD .....                        | ENCLOSURE FOR GOV 94 TESTS                  |
| BLANKET FLAMMABILITY TESTER .....             | BLANKETS                                    |

Govmark offerings of testers and services are constantly augmented. Kindly contact Govmark for any items not listed herein.

## FLAMMABILITY TESTS PERFORMED BY GOVMARK

Boston, California, Apparel, Camping Products, Children's Sleepwear, Drapery, Carpeting, CPSC, Mattress, Upholstery, Coast Guard, IMO, FAA, NY/NJ Port of Authority, Mining Products, and others