

# 45° FLAMMABILITY TESTER (VINYL MATERIALS)

**MODEL TC 1611            110V 50/60Hz**  
**MODEL TC 1611-X        220V 50/60Hz**

**MANDATORY TESTER FOR ALL  
VINYL APPAREL MATERIALS SOLD  
IN THE U.S.A.**

**FEATURES:**

- STAINLESS STEEL CONSTRUCTION
- FULLY AUTOMATIC
- MICROSWITCHES ACTIVATE AND RECORD IGNITION TIME AND BURN TIME
- IGNITION TIME AND BURN TIME RECORDED BY ELECTRIC TIMERS
- MICROSWITCH ACTIVATION
- ONE SPECIMEN HOLDER INCLUDED

**SHIPPING WEIGHT: 125 LBS**



**SPECIFICATION:**

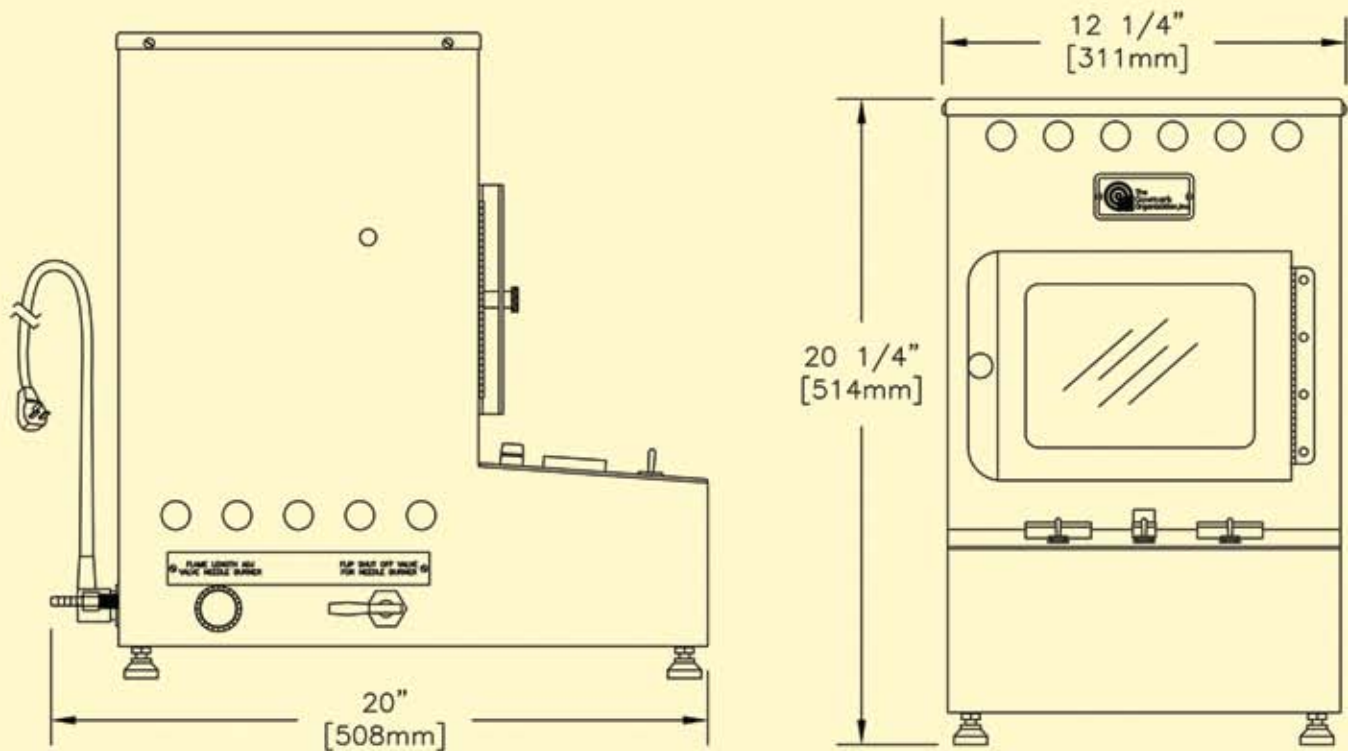
**CFR 16 Part 1611: U.S.A. Flammable Fabrics Act for any vinyl apparel materials other than Children's Sleepwear (nightwear).**



**TEL: +1-631-293-8944 | FAX: +1-631-293-8956 | E-MAIL: [equipment@govmark.com](mailto:equipment@govmark.com)**

**WWW.GOVMARK.COM | 96 ALLEN BLVD., SUITE D, FARMINGDALE, NY 11735-USA**

# 45° FLAMMABILITY TESTER (VINYL MATERIALS)



## FLAMMABILITY PRODUCTS & SERVICES AVAILABLE FROM GOVMARK

### FLAMMABILITY TESTERS

45 DEGREE CABINET  
HORIZONTAL CABINET  
PILL TEST APPARATUS  
TPP TESTER  
FLOORING RADIANT PANEL  
SMOKE DENSITY CHAMBER  
VERTICAL CABINETS  
EI62 RADIANT PANEL  
OSU RATE OF HEAT RELEASE  
CONE CALORIMETER (RATE OF HEAT RELEASE)  
FAA OIL BURNER  
CALIF, TECHNICAL BULLETIN 117  
BS 5852  
NIST MATTRESS BURNER (SCREENING TOOL)  
NON-COMBUSTIBILITY APPARATUS  
NFPA 701 TMI AND TM2  
OXYGEN INDEX  
HOT WIRE IGNITION  
UL 94 FUME HOOD  
BLANKET FLAMMABILITY TESTER

### SUMMARY

FABRICS, CA TB117 2000, CANADIAN STANDARDS  
AUTOMOTIVE FABRICS, FAA  
CARPETING AND TENT FLOORING  
PROTECTIVE CLOTHING  
CARPETING AND AIRCRAFT INSULATION  
ALL MATERIALS  
DRAPES, SLEEPWEAR, TENTAGE, FAA  
FLAME SPREAD OF MATERIALS  
FAA INTERIORS  
TRANSPORTATION AND BUILDING PRODUCTS  
SEAT CUSHIONS & CARGO LINERS  
UPHOLSTERY COMPONENTS  
UPHOLSTERY COMPONENTS  
MATTRESSES  
BUILDING AND MARITIME PRODUCTS  
DRAPERIES, BANNERS, EXTERIOR PRODUCTS, ETC.  
IGNITION LEVEL OF MATERIALS  
PLASTICS FLAMMABILITY  
ENCLOSURE FOR UL 94 TESTS  
BLANKETS

GOVMARK OFFERINGS OF TESTERS AND SERVICES ARE CONSTANTLY AUGMENTED. KINDLY CONTACT GOVMARK FOR ANY ITEMS NOT LISTED HEREIN.

## FLAMMABILITY TESTS PERFORMED BY GOVMARK

BOSTON, CALIFORNIA, APPAREL, CAMPING PRODUCTS, CHILDREN'S SLEEPWEAR, DRAPERY, CARPETING, CPSC, MATTRESS, UPHOLSTERY, COAST GUARD, IMO, FAA, NY/NJ PORT AUTHORITY, MINING PRODUCTS AND OTHERS...